



# Floors Guide

Composite floor solutions



# Contents

Introduction .....	3
<b>Composite floors decking</b>	
Cofrastra® 40 .....	4 & 5
Cofraplus® 45 .....	6 & 7
Cofrastra® 56S .....	8 & 9
Cofraplus® 60 .....	10 & 11
Cofrastra® 70 .....	12 & 13
Cofraplus® 80 .....	14 & 15
<b>Long span floor decking</b>	
Cofraplus® 220 .....	16
Installation - Cofraplus® 220 .....	19
<b>Integrated floor systems</b>	
Cofradal® 200 & 260 .....	20 & 21
Installation - Cofradal® 200 & 260 .....	22
<b>Installation</b>	
Composite floor decking .....	25
Reinforcement .....	33
<b>General instructions</b>	
Safety .....	34
Installation .....	35

## Cofra® 5

Our free software, Cofra® 5 is the ideal tool to design your project using one of our composite floors. By entering the hypothesis of your specific project (spans, loads, fire resistance...), Cofra® 5 provides a full calculation note with the steel thickness of our floor system, the slab thickness and the section and position of reinforcements necessary to reach your own specifications.

The design fits with Eurocodes requirements. Our technical assistance teams are also there to help you and to counsel you towards the best technical solution for your project.



[www.arcelormittal.com/cofra5](http://www.arcelormittal.com/cofra5)

# Composite flooring solutions

Our extensive range of floor systems allows our customers to find the right fit to suit their project needs.

## ArcelorMittal Construction's composite flooring continues to lead the way

Our wide range of floor system is a lightweight alternative to any other concrete solution. Not only does this make them quicker and easier to install, transport and store, they're more cost effective because less substantial supporting structures are required. Plus, less equipment is needed to move and position our systems.

Meanwhile, all of the solutions within our composite flooring range can be installed with all types of structures, such as steel, concrete, wood beams and masonry walls.

They all come galvanised with our metallic coating, ZMevolution® as standard to increase durability, and can be pre-painted with our own brand of organic coatings to enhance aesthetics and protection against corrosion.

## Multi-application from new building to renovation

As a result, they can be used for the widest range of projects, including commercial and office buildings, high-rise buildings, and educational, car parks, sports facilities, and more. As they are lightweight flooring solution, stackable and easy to manually install, they are naturally adapted for renovation projects.

## Our flooring solutions

### Composite floors:

They are multi-use solutions:

- during pouring phase, they are used as shuttering
- when the concrete is dried, thanks to the embossments and the geometry of the profile, a mechanical bond is formed between steel and concrete. In that respect, steel fully contributing to the slab resistance creating a composite slab
- in fire condition, they can reach REI120 by adding rebars in the ribs

**Integrated floor systems:** In that unique system, the insulation is directly included into our flooring solution providing thermal insulation. The optimal combination of the materials used for these floor system enables them to bridge spans from 5 to 8 m providing at the same time an excellent sound absorption and fire resistance.

**Additive floors:** The additive floors concept takes advantages of both materials, steel and concrete, providing an optimised solution for long span as it can reach spans up to 5.50 m without props and 9m with props. They are also suitable for building where fire resistance up to 120 min is required.

**Slim-Floor concept:** With this concept, the top of the profile is at the same height that the beam which supported it or directly installed on the lower flange. It allows to reduce the total height of the structure and eliminating beam downstands under the floor. Our additive floors and integrated floor system fit perfectly with this concept which guarantees a fast installation, an economical design and open new doors to architect's imagination.

**Composite beams:** Our floors can be connected to the beams using some studs creating a composite beam. This allows to optimize the design of the beam and thus the global weight and cost of the building.

## Some key terms...

**g'**: permanent loads in the final phase (excluding the self-weight of the floors).

**q**: live loads in the final phase.

**L span**: means the distance between supports (can be calculated as clear distance between supports in the case of a concrete structure). If propping is necessary, the span differs between the pouring phase and the final composite slab.

**SLS**: Service Limit States - states describing the service criteria of a floor system (deflection, cracking, vibration, etc.)

**Deflection**: maximum deformation of the floor under a combination of SLS loads. Limited to L/180 in the pouring phase.

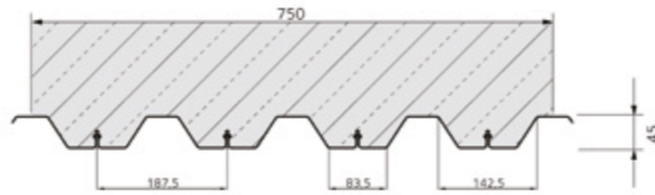
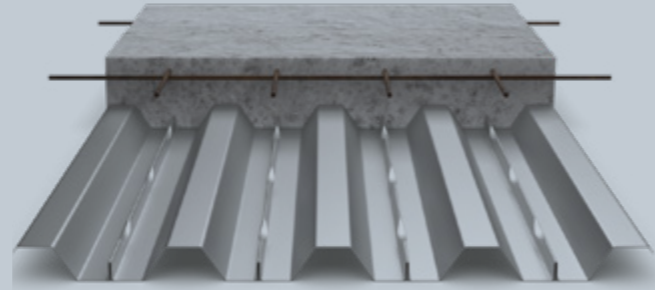
**REI**: resistance of the floor to fire for mechanical stability (R), flame proofing and tightness (E) and thermal insulation (I).



# Cofraplus® 45

## Composite floor decking with trapezoidal section

Used as shuttering during pouring phase and as reinforcement during service phase thanks to its specific geometry, Cofraplus® 45 is a multi-use profile suitable for all types of construction. This slim profile optimises the height of the slab, providing great advantage for residential project. Associated with organic coating in white color, it brings some additional light and provides an attractive soffit solution. It also offers good performances in fire condition.



Fire resistant



Lightweight

CE marking according to EN 1090-1

Characteristics of the base material		Norms
Steel grade	S 350 GD	EN 10346
Type of corrosion protection	Galvanised steel ZM 120	P 34-310 ETPM ZMevolution® or AbZ Z-30.11-61
	Galvanised coated steel ZM 120	EN 10169+A1
Organic coating		Norms
Hairplus® 25	Category CP13	P 34-310 EN 10169+A1
Other coatings	On demand	

Characteristics	Nominal thickness of the profile sheet [mm]
Weight [kg/m <sup>2</sup> ]	10,00
Cross section $A_p$ : [mm <sup>2</sup> /m]	1 088

### Nominal concrete consumption

	Thickness of the slab [cm]															
	8	10	12	14	16	18	20	22	24	26	28	30	32	34	36	38
Concrete volume [l/m <sup>2</sup> ]	62	82	102	122	142	162	182	202	222	242	262	282	302	322	342	362
Theoretical weight* of the composite slab [kg/m <sup>2</sup> ]	155	205	255	305	355	405	455	505	555	605	655	705	755	805	855	905

Concrete density 2500 kg/m<sup>3</sup>

\*Additional weight due to pounding effect is not included

### Fire resistance

Thickness of the slab [cm]	REI [min]			
	30	60	90	120
8	100	120	140	

REI: fire protection rating of the raw composite slab  
The minimum thickness is required to comply with the temperature criterion (I) on the non-fire exposed side.

According to EN 1994-1-2 §4.3.2, Cofraplus® 45 composite floors are rated REI 30 even without specific reinforcement in the ribs. For higher fire resistance classes, additional reinforcement bars are required. These are positioned in the ribs of the profile.

### Structural performance

#### Load/Span table

The value provided in each cell of the table loads is the maximum live load capacity Q (kN/m<sup>2</sup>). The self weight of the slab is already included. The color of each cell give information about the required steel thickness.

Single span  $\triangle$   $L$   $\triangle$

Thickness of the slab [cm]	Span [m]																				
	1,50	1,60	1,70	1,80	1,90	2,00	2,10	2,20	2,30	2,40	2,50	2,60	2,70	2,80	2,90	3,00	3,10	3,20	3,30	3,40	3,50
18	16,85	15,13	13,66	12,39	11,29	10,32	9,46	8,70	8,01	7,40	6,84	6,34	5,87	5,45	5,06	4,70	4,36	4,04	3,74	3,47	3,21
17	16,18	14,52	13,10	11,87	10,81	9,87	9,05	8,31	7,65	7,06	6,53	6,04	5,60	5,20	4,82	4,48	4,15	3,84	3,56	3,30	3,05
16	15,51	13,90	12,53	11,35	10,33	9,43	8,63	7,93	7,30	6,73	6,22	5,75	5,33	4,94	4,58	4,26	3,94	3,65	3,38	3,12	2,89
15	14,84	13,29	11,97	10,83	9,85	8,98	8,22	7,54	6,94	6,39	5,90	5,46	5,05	4,68	4,35	4,03	3,73	3,45	3,19	2,95	2,73
14	14,17	12,68	11,41	10,31	9,37	8,54	7,80	7,16	6,58	6,06	5,59	5,17	4,78	4,43	4,11	3,81	3,52	3,25	3,01	2,78	2,57
13	13,51	12,07	10,84	9,79	8,88	8,09	7,39	6,77	6,22	5,72	5,28	4,87	4,51	4,17	3,87	3,58	3,31	3,06	2,83	2,61	2,41
12	12,84	11,45	10,28	9,27	8,40	7,64	6,98	6,39	5,86	5,39	4,97	4,58	4,23	3,92	3,63	3,36	3,10	2,86	2,64	2,44	2,25
11	12,17	10,84	9,72	8,75	7,92	7,20	6,56	6,00	5,50	5,05	4,65	4,29	3,96	3,66	3,39	3,14	2,89	2,67	2,46	2,27	2,09
10	11,50	10,23	9,15	8,23	7,44	6,75	6,15	5,62	5,14	4,72	4,34	4,00	3,69	3,41	3,15	2,91	2,68	2,47	2,28	-	-
9	10,83	9,62	8,59	7,71	6,96	6,31	5,73	5,23	4,78	4,38	4,03	3,71	3,42	3,15	2,91	-	-	-	-	-	-
	Without propping										With propping										

Multiple spans  $\triangle$   $L_1$   $\triangle$   $L_2$   $\triangle$  with  $L_1 = L_2$  and internal width support 100mm

Thickness of the slab [cm]	span [m]																				
	1,50	1,60	1,70	1,80	1,90	2,00	2,10	2,20	2,30	2,40	2,50	2,60	2,70	2,80	2,90	3,00	3,10	3,20	3,30	3,40	3,50
18	22,00	19,91	18,12	16,57	15,22	14,04	12,99	12,06	11,23	10,48	9,80	9,18	8,62	8,10	7,63	7,19	6,77	6,38	6,02	5,68	5,37
17	21,10	19,07	17,34	15,85	14,55	13,41	12,40	11,51	10,71	9,98	9,33	8,74	8,20	7,71	7,25	6,83	6,43	6,06	5,71	5,39	5,09
16	20,20	18,24	16,57	15,13	13,88	12,78	11,81	10,95	10,18	9,49	8,86	8,30	7,78	7,31	6,88	6,47	6,09	5,73	5,40	5,09	4,81
15	19,30	17,41	15,80	14,41	13,21	12,15	11,22	10,40	9,66	8,99	8,40	7,86	7,36	6,91	6,50	6,11	5,75	5,41	5,09	4,80	4,53
14	18,40	16,57	15,02	13,69	12,53	11,52	10,63	9,84	9,13	8,50	7,93	7,41	6,94	6,51	6,12	5,76	5,40	5,08	4,78	4,50	4,25
13	17,50	15,74	14,25	12,97	11,86	10,89	10,04	9,28	8,61	8,01	7,46	6,97	6,52	6,12	5,74	5,40	5,06	4,76	4,47	4,21	3,96
12	16,60	14,91	13,48	12,25	11,19	10,26	9,45	8,73	8,09	7,51	7,00	6,53	6,10	5,72	5,36	5,04	4,72	4,43	4,16	3,91	3,68
11	15,69	14,07	12,70	11,53	10,51	9,63	8,86	8,17	7,56	7,02	6,53	6,09	5,68	5,32	4,99	4,68	4,38	4,11	3,85	3,62	3,40
10	14,79	13,24	11,93	10,81	9,84	9,00	8,26	7,61	7,04	6,52	6,06	5,64	5,27	4,92	4,61	4,32	4,04	3,78	3,54	3,32	3,12
9	13,89	12,41	11,16	10,09	9,17	8,37	7,67	7,06	6,51	6,03	5,59	5,20	4,85	4,52	4,23	3,96	3,70	3,46	-	-	-
	Without propping										With propping										

Key	Thickness [mm]
Installation without propping	0,80
With propping	0,80

#### Assumptions

- Concrete C25/30 (density: 25 kN/m<sup>3</sup>)
- Fire resistance REI30
- Deflection while pouring  $L / 180$
- Deflection in service  $L$  [cm] / 350 if  $L < 3.5$  m or  $(0.5 \text{ cm} + L / 700)$  if  $L > 3.5$  m









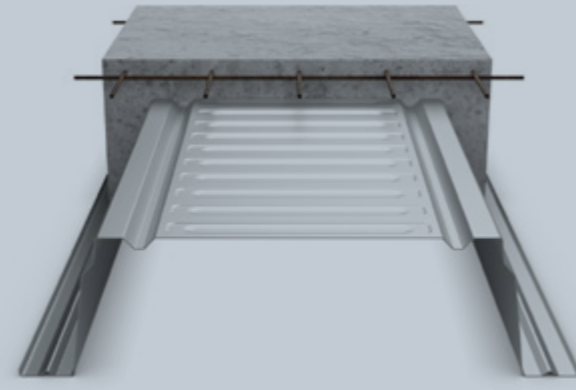


# Cofraplus® 220

## Long span floor decking

Quick and easy to install, our additive floor Cofraplus® 220 provides an optimised solution for long span applications such as tertiary sectors or multi-storey building. As it can easily reach spans up to 5 m without props, Cofraplus® 220 is particularly adapted to car park project.

A range of support accessories makes it easy to optimise the height of the slab and beam as required and ArcelorMittal Construction's organic coatings offer a large choice of colours.



Fire resistant



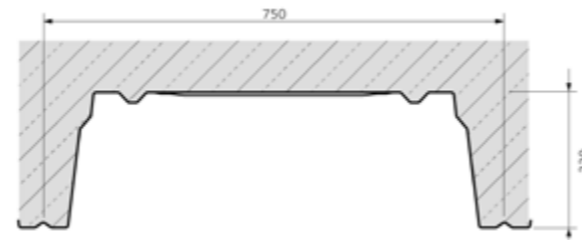
Long span



Slimfloor



Composite floor parking



CE marking according to EN 1090-1  
 French technical approval: DTA 3.1/17-927\_V3  
 German technical approval: AbZ Z-26.1-55

Characteristics of the base material		Norms
Steel grade	S 350 GD	EN 10346
Type of corrosion protection	galvanised steel ZM 175	P 34-310 ETPM ZMevolution® or AbZ Z-30.11-61
	galvanised steel ZM 175 with organic coating	EN 10169+A1 P 34-301
Organic coating		Norms
Hairplus® 25	Category CP13	P 34-310 EN 10169+A1
Other coatings	on demand	

Characteristics	Nominal thickness of the profile sheet [mm]	
	1,13	1,25
Weight [kg/m <sup>2</sup> ]	15,14	16,75
Cross section A <sub>p</sub> [mm <sup>2</sup> /m]	1 817	2 017
Effective inertia I <sub>eff</sub> [cm <sup>4</sup> /m]	926	1063
Height of neutral axis [mm]	159,90	159,90
Modulus of inertia [cm <sup>3</sup> /m]	57,91	66,48

### Nominal concrete consumption

	Thickness h <sub>c</sub> [mm]							
	80	90	100	110	120	130	140	150
Concrete volume [l/m <sup>2</sup> ]	117	127	137	147	157	167	177	187
Theoretical weight* of the composite slab [kg/m <sup>2</sup> ]	308	333	358	383	408	433	458	483

Density of the concrete 2500 kg/m<sup>3</sup>

\*Additional weight du to pounding effect is not included

- Possibility of bridging large spans
- Up to 5,5 m without props
- Up to 8,5 m with props

Considerable flexibility in use: the profile's lightness (12,5 kg/ml) makes it easy to handle, thus reducing the costs of lifting devices for installation.

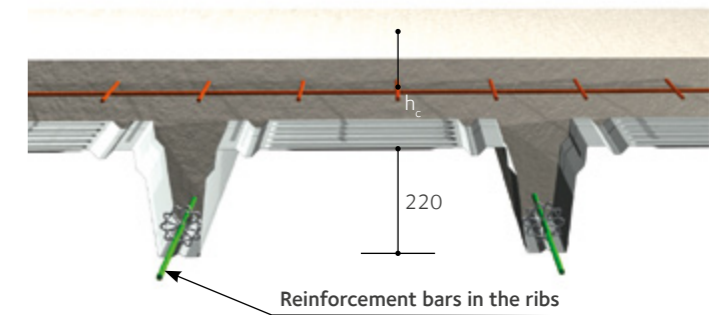
Compatibility with steel, concrete or timber frame for better adaptability.

### Fire resistance

h <sub>c</sub> mini [mm]	REI [min]			
	30	60	90	120
80	80	100	120	

The section of reinforcement get calculated according the project specifications.

A specific calculation note for a pre-design will be communicated by our consultant engineers.



### Structural performance

#### Load/Span table

The value provided in each cell of the table loads is the maximum live load capacity Q (kN/m<sup>2</sup>), with no safety factor. The self weight of the slab is already included.

The color of each cell give information about the required steel thickness.

Our engineering design office will be able to refine these indications based on the detailed specifications of your project

Single span L

Thickness of the slab [cm]	span [m]																					
	5,00	5,10	5,20	5,30	5,40	5,50	5,60	5,70	5,80	5,90	6,00	6,20	6,40	6,60	6,80	7,00	7,20	7,40	7,60	7,80	8,00	
15	6,58	6,14	5,73	5,35	4,98	7,55	7,12	6,71	6,33	5,96	5,61	7,85	7,09	6,39	5,75	5,17	7,89	7,23	6,61	6,05	5,52	
14	6,66	6,23	5,83	5,45	5,09	7,57	7,15	6,75	6,37	6,01	5,66	7,82	7,07	6,39	5,77	5,20	7,83	7,18	6,58	6,02	5,51	
13	6,75	6,32	5,92	5,55	5,19	7,59	7,17	6,78	6,41	6,05	5,71	7,80	7,06	6,39	5,78	5,22	7,76	7,12	6,54	6,00	5,50	
12	6,83	6,41	6,02	5,65	5,30	7,61	7,20	6,81	6,45	6,10	5,77	7,77	7,05	6,39	5,80	5,25	7,69	7,07	6,50	5,97	5,48	
11	6,92	6,50	6,12	5,75	5,40	7,63	7,23	6,85	6,49	6,14	5,82	7,74	7,04	6,40	5,81	5,28	7,62	7,02	6,46	5,95	5,47	
10	7,00	6,59	6,21	5,85	5,51	7,65	7,25	6,88	6,53	6,19	5,87	7,71	7,02	6,40	5,83	5,30	7,56	6,97	6,42	5,92	5,46	
9	7,09	6,68	6,31	5,95	5,61	7,67	7,28	6,91	6,57	6,24	5,92	7,69	7,01	6,40	5,84	5,33	7,49	6,91	6,39	5,90	5,45	
8	6,33	6,78	6,40	6,05	5,72	7,69	7,31	6,95	6,61	6,28	5,98	7,66	7,00	6,40	5,86	5,36	7,42	6,86	6,35	5,87	5,44	
Steel reinforcement per rib	1 HA12						1 HA16						1 HA20				1 HA25					
	Without propping										With propping											

### Multiple spans L1 L2 with L1 = L2 and internal width support 100mm

Thickness of the slab [cm]	span [m]																					
	5,00	5,10	5,20	5,30	5,40	5,50	5,60	5,70	5,80	5,90	6,00	6,20	6,40	6,60	6,80	7,00	7,20	7,40	7,60	7,80	8,00	
15	10,96	10,32	9,71	9,14	8,60	8,08	7,60	7,14	6,71	6,29	5,90	10,59	9,65	8,80	8,02	7,31	6,66	6,06	5,51	5,00	4,52	
14	10,63	10,01	9,43	8,87	8,35	7,86	7,39	6,94	6,52	6,12	5,74	10,27	9,37	8,55	7,80	7,12	6,49	5,91	5,37	4,88	4,42	
13	10,31	9,71	9,14	8,61	8,11	7,63	7,18	6,75	6,34	5,95	5,59	9,96	9,09	8,30	7,58	6,92	6,31	5,75	5,24	4,76	4,32	
12	9,99	9,41	8,86	8,35	7,86	7,40	6,96	6,55	6,16	5,79	5,43	9,64	8,81	8,05	7,35	6,72	6,14	5,60	5,11	4,65	4,23	
11	9,66	9,11	8,58	8,08	7,61	7,17	6,75	6,35	5,97	5,62	5,27	9,33	8,53	7,80	7,13	6,52	5,96	5,45	4,97	4,53	4,13	
10	9,34	8,80	8,30	7,82	7,37	6,94	6,54	6,15	5,79	5,45	5,12	9,01	8,25	7,55	6,91	6,32	5,79	5,29	4,84	4,42	4,03	
9	9,01	8,50	8,01	7,56	7,12	6,71	6,33	5,96	5,61	5,28	4,96	8,70	7,96	7,30	6,68	6,12	5,61	5,14	4,70	4,30	3,93	
8	8,69	8,20	7,73	7,29	6,88	6,48	6,11	5,76	5,43	5,11	4,81	8,39	7,68	7,04	6,46	5,93	5,44	4,99	4,57	4,19	3,83	
Steel reinforcement per rib	1 HA12						1 HA16						1 HA20				1 HA25					
	503mm <sup>2</sup> /ml on support										760mm <sup>2</sup> /ml on support											
	Without propping										With propping											

Key	Thickness [mm]
Installation without propping	1,13
With propping	1,25

#### Assumptions

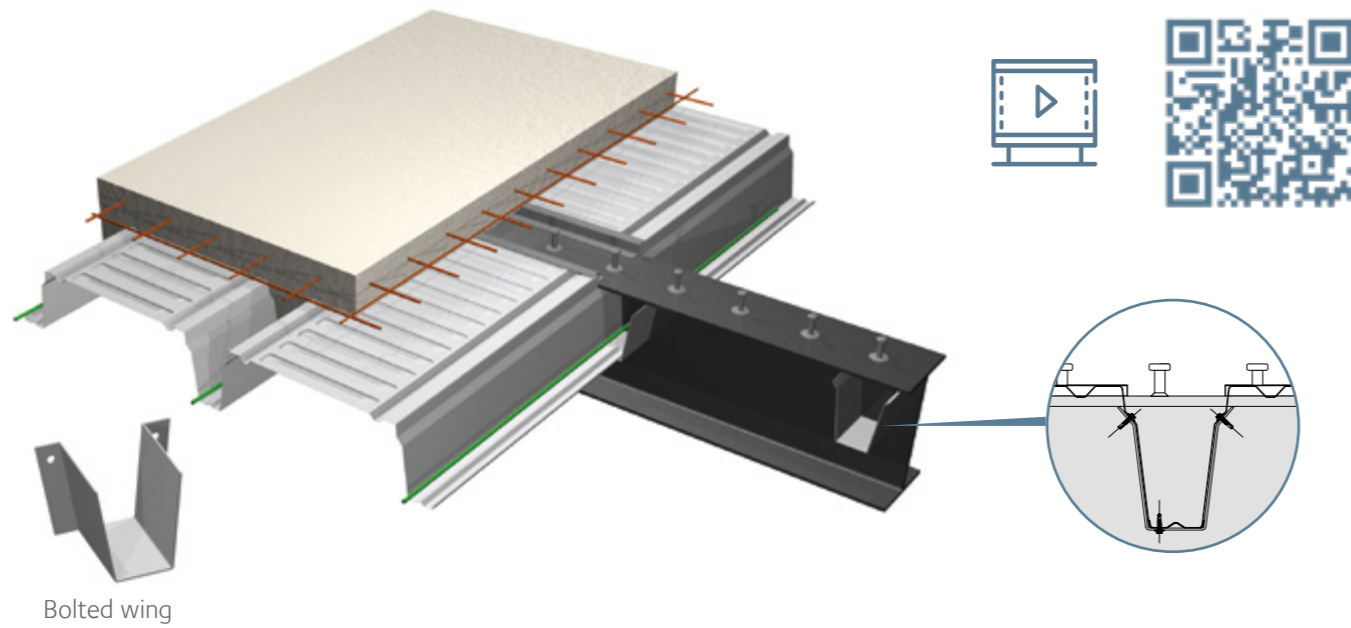
- Concrete C25/30 (density: 25 kN/m<sup>3</sup>)
- Fire resistance REI30
- Deflection while pouring L / 180
- Deflection in service L [cm] / 350 if L < 3,5 m or (0,5 cm + L / 700) if L > 3,5 m
- Materials safety factors : y<sub>M</sub>=1,0, y<sub>C</sub>=1,5, y<sub>S</sub>=1,15

# Cofraplus® 220

## Long span floor decking

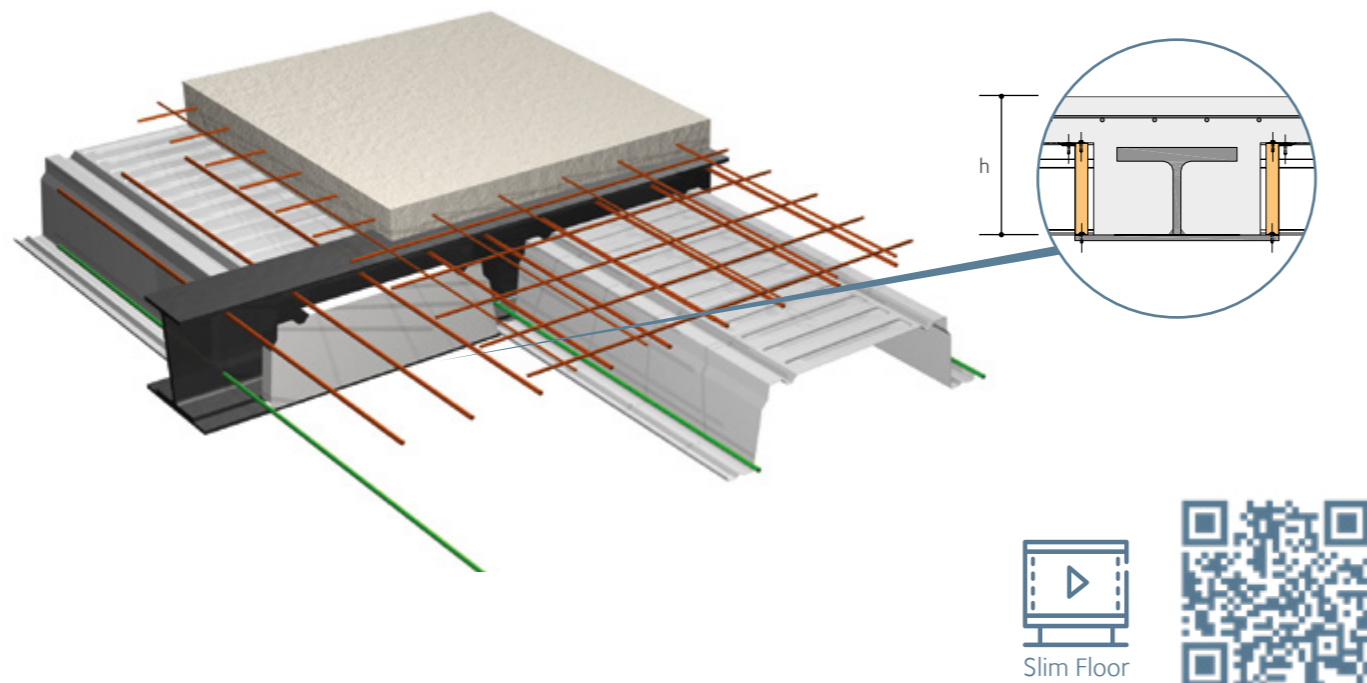
### Wing system

Wings are consoles which can be welded to the web of the beam in shop or bolted on site.



### Slim Floor system

The combination of Cofraplus® 220 with a CoSFB beam avoids the beam dropping and protects it in case of fire.

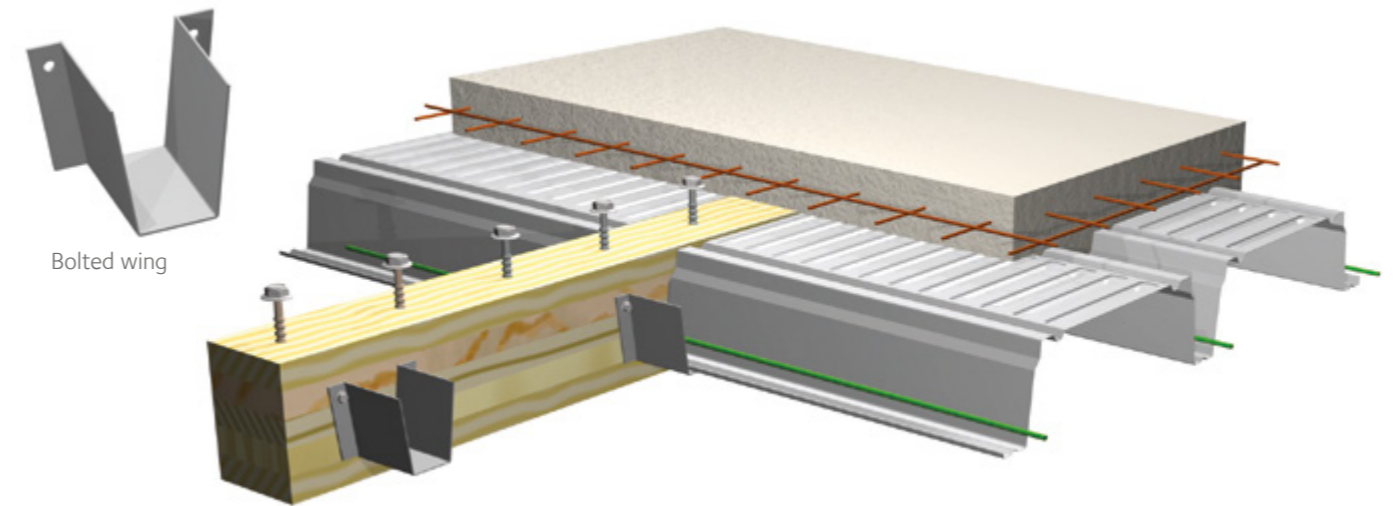


# Installation - Cofraplus® 220

### Supports

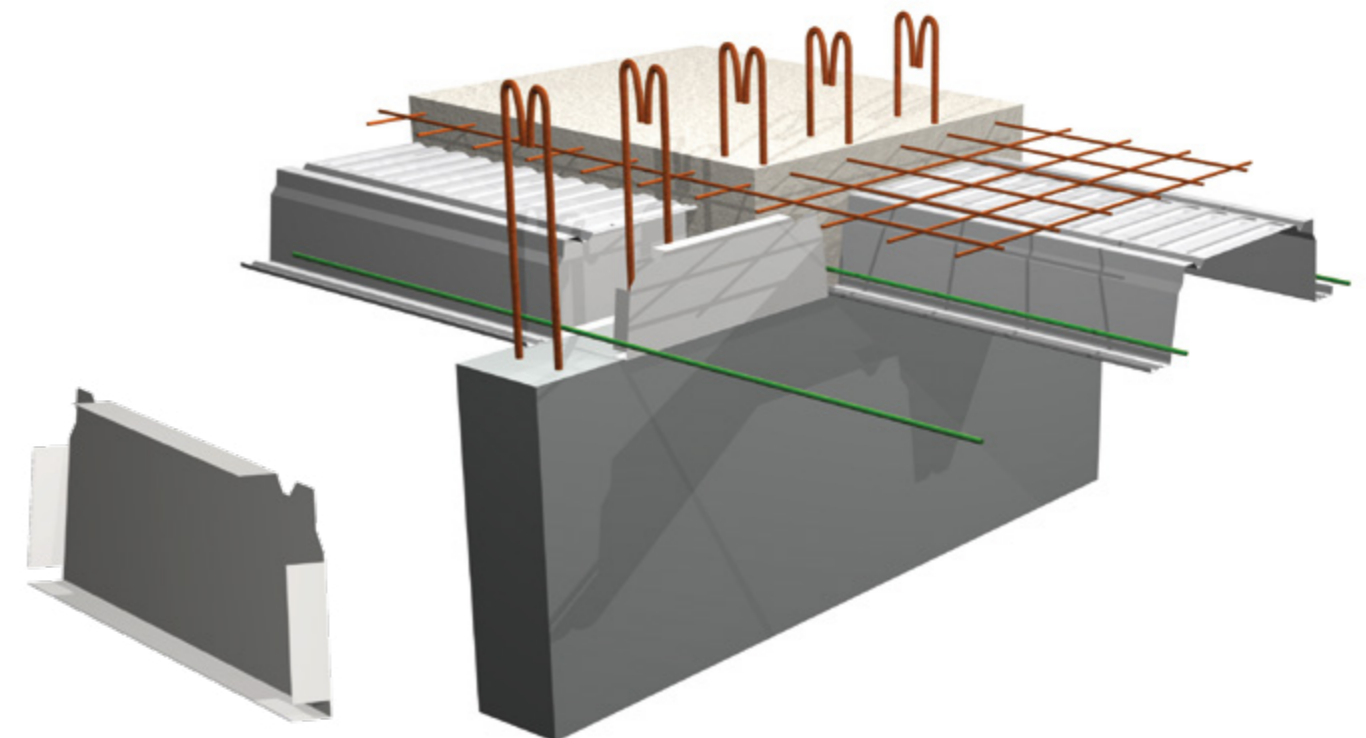
#### On timber or steel beam

Wings can be either welded in shop to the web of the steel beam or bolted on site requiring holes in the web of the steel beam.



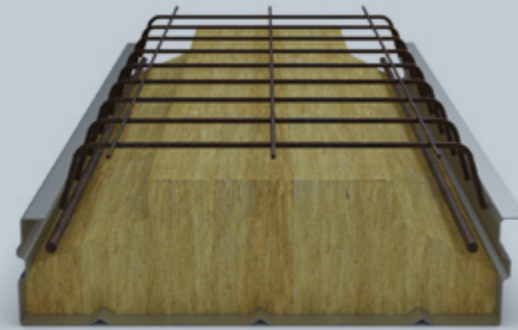
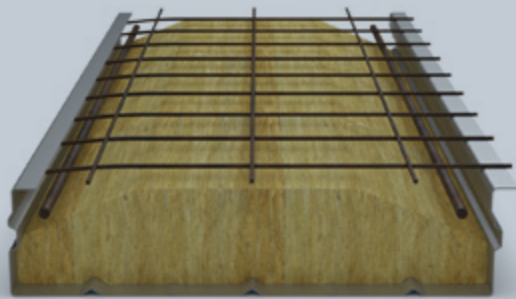
#### On concrete beams

The end diaphragm can either be fixed to the profile in advance, before it is installed on the supporting structure, or it can be fixed on the support by nailing in order to house the profile. The brochure "Cofraplus 220 - installation guidelines" gives more details on the different installation procedures.




# Cofradal® 200 & 260

## Integrated composite floor systems




This truly innovative lightweight and insulated floor system is suitable for all types of construction, from commercial buildings to new build multi-story housing and renovation. Using the Slim-Floor solution, Cofradal® allows users to optimise the height and weight of the slab and in turn the building itself. It can be specified in decibel version to provide additional acoustic absorption


properties and, when finished with one of ArcelorMittal Construction's organic coatings, it provides an attractive soffit solution.




Long span



Slimfloor



Fire resistant



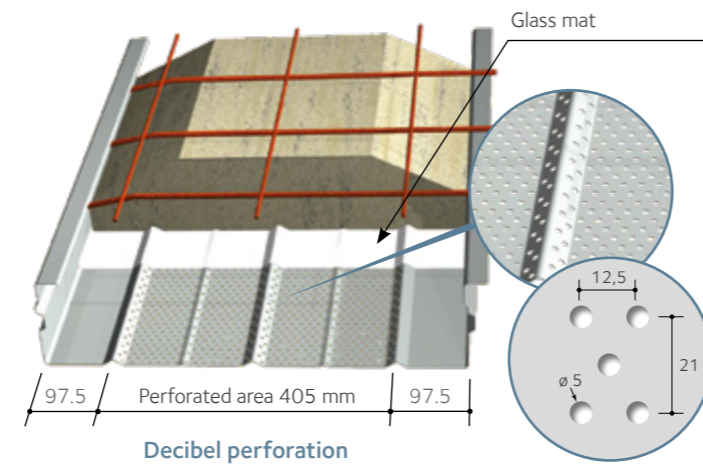
Suitable for renovation

French technical approval: DTA 3.1/11-687\_V2

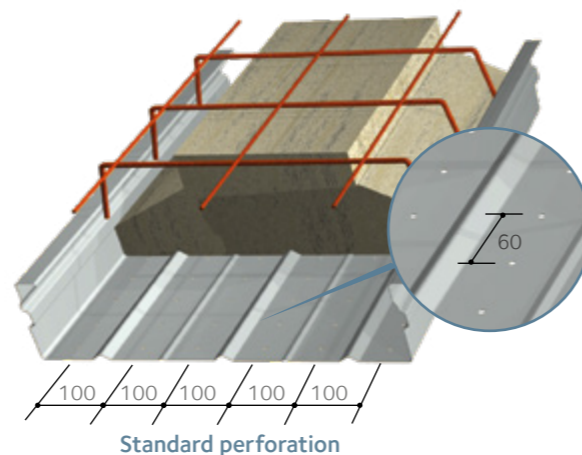
Characteristics of the base material		Norms
Steel grade	S 320 GD	EN 10346
Type of corrosion protection	ZMevolution® galvanised steel	P 34-310 ETPM ZMevolution® or AbZ Z-30.11-61
	ZM galvanised steel coated evolution	EN 10169+A1 P 34-301
Coating		
Hairplus® 25	Category CP13	P 34-310 EN 10169+A1
Other coatings	On demand	

Cofradal®	200	260
Thickness of the complex [mm]	200	260
Weight of the finished floor [kg/m²] Excluding support zones	240	280

Two versions



Decibel perforation



Standard perforation

Fire resistance

Cofradal®	200			260		
Span [m]	5,00	6,00	7,00	6,00	7,50	8,00
REI [min]	120			120		
G' [kg/m²]	100	250	500	100	250	500
Q [kg/m²]	250	350	500	250	350	500
	Ø 12 mm	Ø 16 mm	Ø 16 mm	Ø 16 mm	Ø 16 mm	Ø 16 mm
	Ø 12 mm	Ø 16 mm	Ø 16 mm	Ø 16 mm	Ø 16 mm	Ø 16 mm
	Ø 12 mm	Ø 16 mm	Ø 16 mm	Ø 16 mm	Ø 16 mm	Ø 16 mm

**REI: fire protection rating of the net composite slab**  
The incorporation of a mineral wool insulation and the reinforcement bars permit to obtain a fire resistance rating of REI 120 even for the maximum span.

# Cofradal® 200 & 260

## Integrated composite floor systems

Acoustic performances

Despite its low self-weight, Cofradal® meets the requirements of the acoustic regulations without an additional false ceiling. The "decibel" finish also provides remarkable sound absorption intended to improve comfort of the adjacent rooms below.

Installation	R <sub>w</sub> (C, Ctr)	L <sub>n,w</sub>
Cofradal® 200 alone <sup>(1)</sup>	58 (-1 ; -6) dB	78 dB
Cofradal® 200 with floating screed <sup>(2)</sup> Rocksol 501 20 mm + 50 mm screed	65 (-3 ; -10) dB	60 dB
Cofradal® 200 decibels - perforated profile <sup>(3)</sup>	α <sub>w</sub> = 0.85	

(1) Test report CSTB No. AC 04-060 - (2) Test report CSTB No. AC 08-260 13 227/2  
(3) Test report CSTB No. AC 05-148

Thermal performance

125 mm of mineral wool give the Cofradal® good thermal insulation. Additional insulation material, fixed to the underside, will provide the targeted Up value.

e [mm]	0	40	60	80	100
Up (W/m²K)	0,78	0,37	0,29	0,24	0,20



Structural performance

Load/Span table

The value provided in each cell of the table loads is the maximum live load capacity Q (kN/m²), with no safety factor. The self weight of the slab is already included.

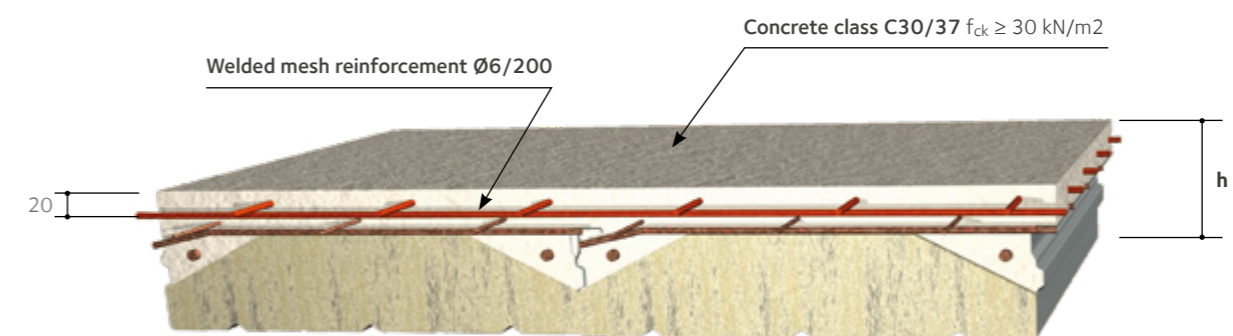
The color of each cell give information about the required steel thickness.

Our engineering design office will be able to refine these values based on the detailed specification of your project

Cofradal®	Deflection	span [m]																						
		4,00	4,20	4,40	4,60	4,80	5,00	5,20	5,40	5,60	5,80	6,00	6,20	6,40	6,60	6,80	7,00	7,20	7,40	7,50	7,60	7,80	8,00	
200 standard	1/350	7,99	7,64	7,29	6,97	6,82	6,66	6,47	6,29	5,88	5,39	4,90	4,56	4,22	3,88	3,54	3,20							
	1/500	6,29	6,22	6,14	6,06	5,98	5,90	5,51	5,12	4,74	4,35	3,96	3,69	3,43	3,16	2,90	2,63							
200 decibels	1/350	7,14	6,99	6,85	6,57	6,43	6,27	6,02	5,67	5,23	4,79	4,35	4,06	3,77	3,47	3,18	2,89							
	1/500	5,73	5,65	5,57	5,49	5,41	5,33	4,97	4,61	4,26	3,90	3,54	3,31	3,08	2,86	2,63	2,40							
260 standard	1/350																							
	1/500	7,26	7,15	7,05	6,81	6,69	6,57	6,42	6,28	6,13	5,99	5,85	5,55	5,25	4,96	4,66	4,37	4,21	4,07	3,99	3,92	3,77	3,63	
260 decibels	1/350																							
	1/500	7,18	6,97	6,79	6,37	6,18	5,98	5,74	5,50	5,26	5,02	4,78	4,55	4,32	4,08	3,85	3,62	3,52	3,43	3,37	3,32	3,23	3,13	

Consumption of materials

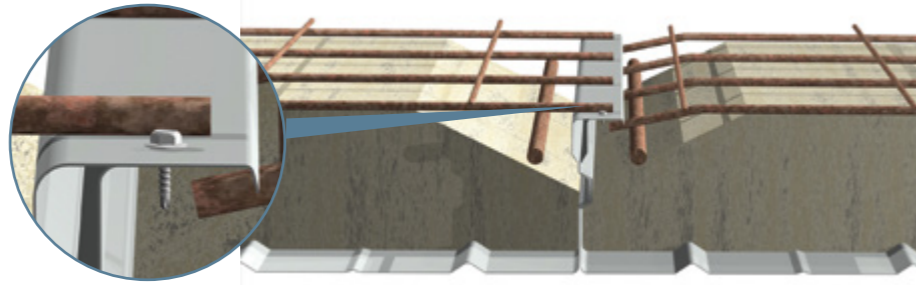
Cofradal®	Height h [mm]	Concrete volume (l/m²)
200	200	100
260	260	120



# Installation - Cofradal® 200 & 260

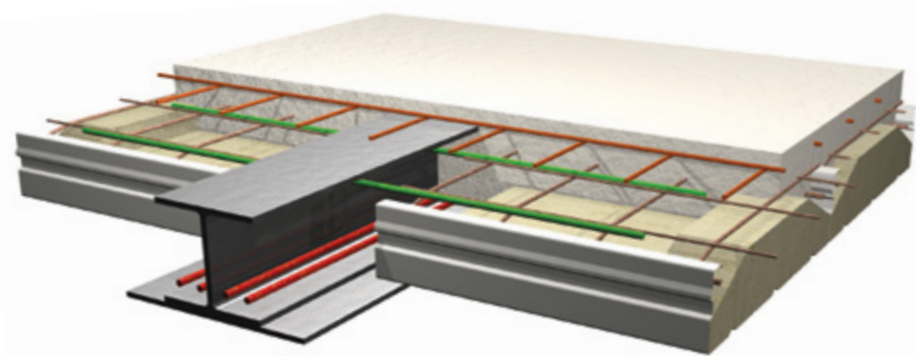
## Stitching

The elements are stitched among each other using self-tapping screws 6.3 x 19 mm in a distance of 1,0 m supplied on site.

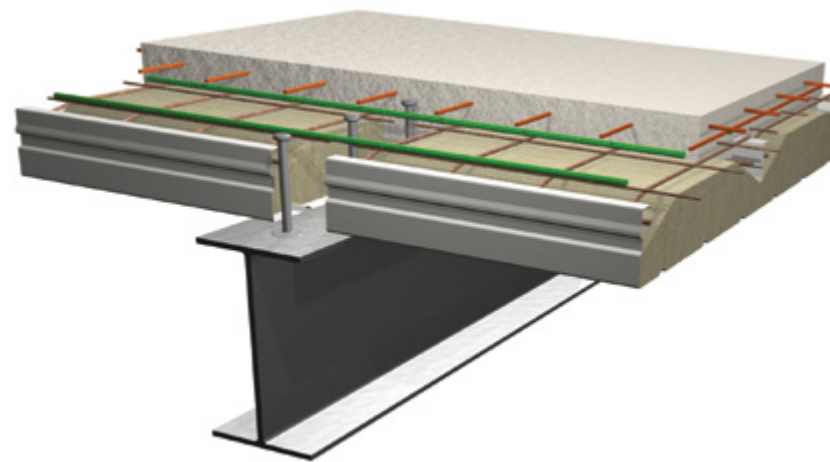
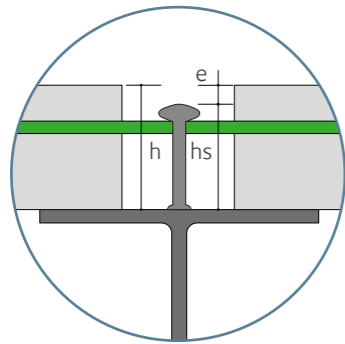


## On SFB or CoSFB beam (composite slim floor beam)

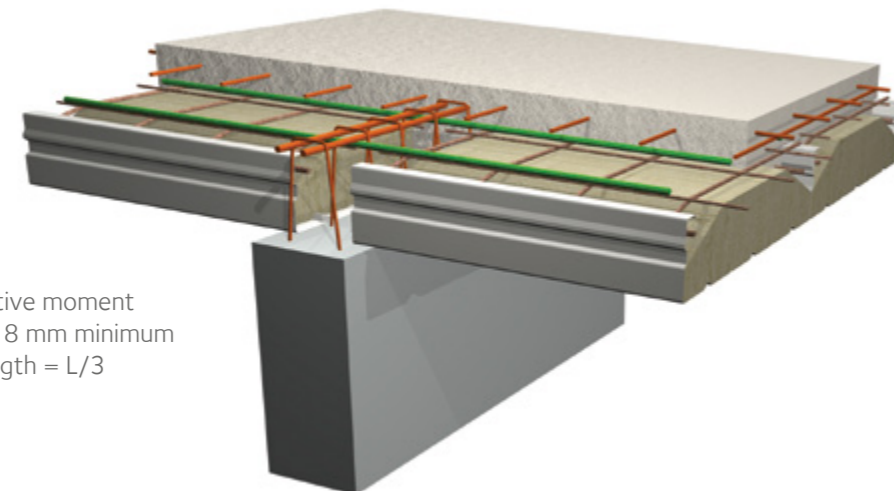
Incorporation of the CoSFB beam in the thickness of the Cofradal® system avoids any joist and gives a fire resistant rating of R60 without any additional protection measures.



The height of the shear connectors **hs** depends on the height of the Cofradal system (h=200 or 260 mm)



## On reinforced concrete or pre-stressed concrete

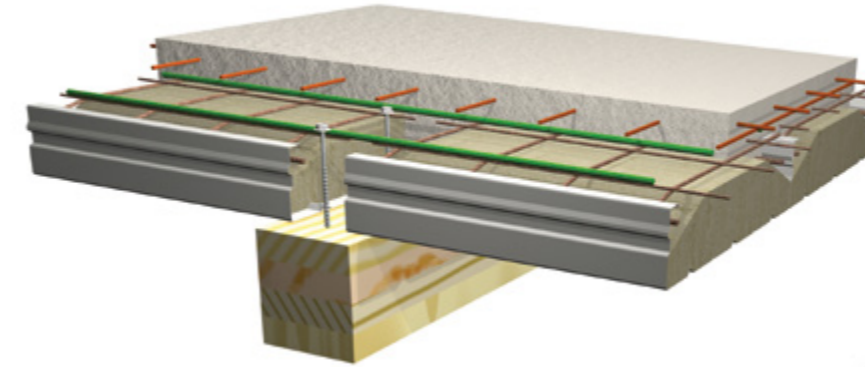


On support negative moment reinforcement:  $\varnothing$  8 mm minimum (e= 300 mm) length = L/3

# Installation - Cofradal® 200 & 260

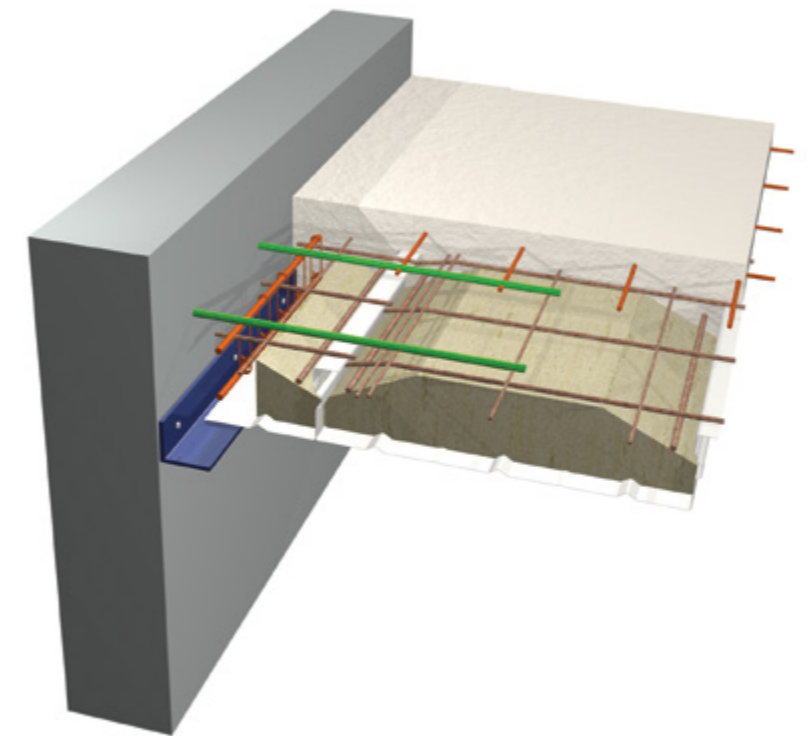
## On composite timber beam

In order to transfer the horizontal forces of the floor to the load-bearing frame, it is recommended to fix connectors in the timber beam or timber wall. The connectors are designed inline with the bracing requirements.



## Borders & edges

A layout plan provided for each site will give details of the slab edges. Fixing of edge trims is easy to implement and is adaptable to any type of support.

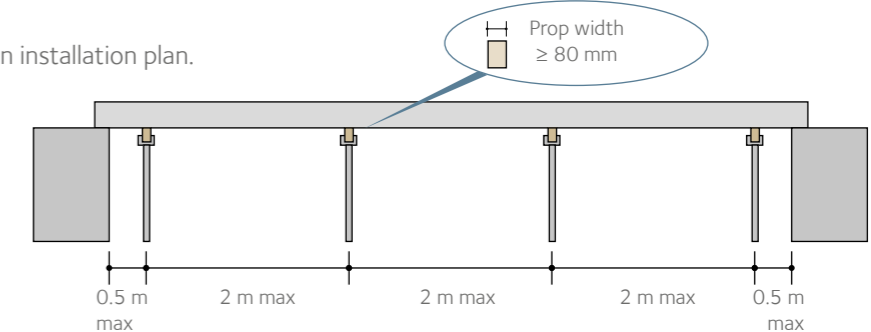


## Propping

A shoring plan is provided, as well as an installation plan.

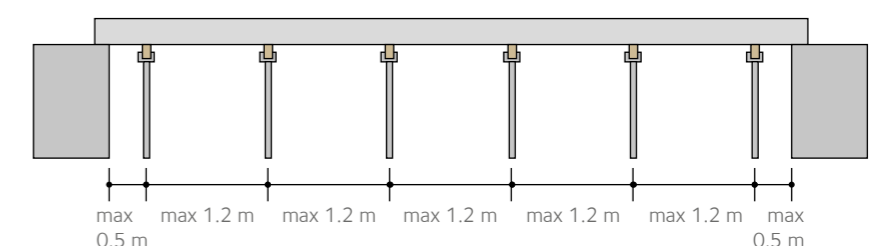
### Cofradal® Standard

Without props for span  $\leq$  3 m according to a study by our engineering design office.



### Cofradal® Decibel

In the case of a Decibel finish, particular attention should be paid to the quality and nature of the shoring finishing. Protection against scratches is recommended.



# Installation

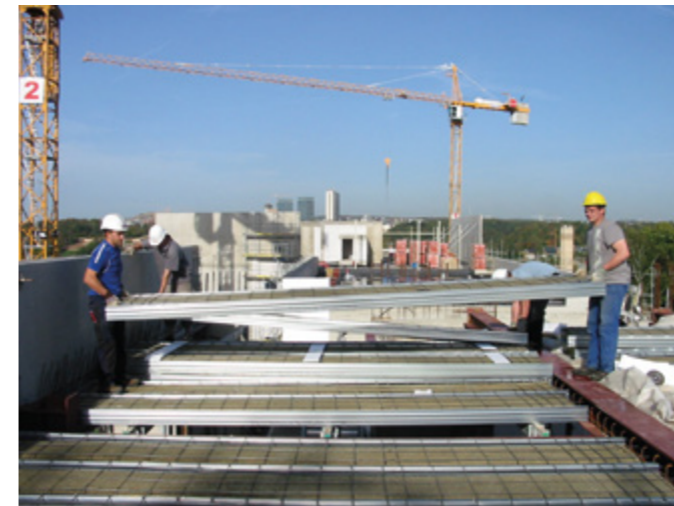
# Installation - Composite floor decking



Cofrastra® 70 with profile filler installed on composite beam with double shear studs



Concrete pouring on Cofraplus® 220 filling first the ribs



Installation of Cofradal® 200



Edge trim with restraint strap and nailed shear studs



Soffit of Cofradal® Decibel



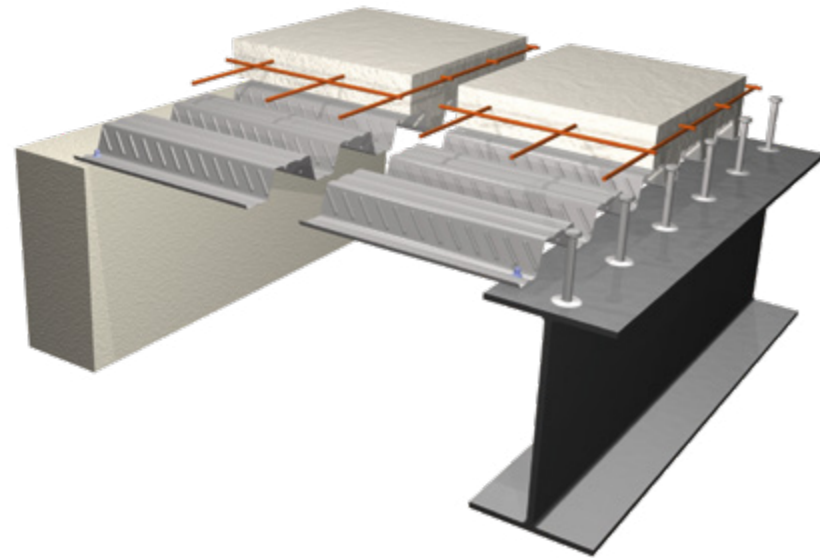
Installation within rehabilitation project - Cofraplus® 60

# Installation - Composite floor decking

## Support conditions and fastening

### Installation on concrete or metal beam

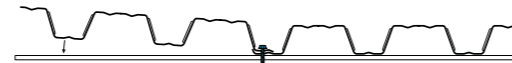
Support width  $\geq 50$  mm



### Fastening and stitching

Each profile will be fixed at each end with 2 fasteners per support (except on intermediate supports in case the profile is continuous). The fasteners will be chosen in respect of the type of support.

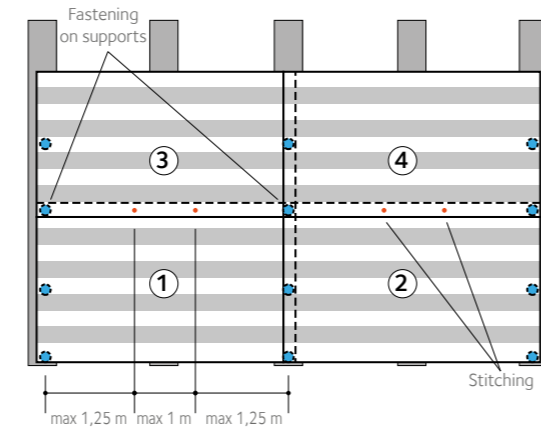
#### Fixing on supports



#### Stitching by rivets or self-tapping screws

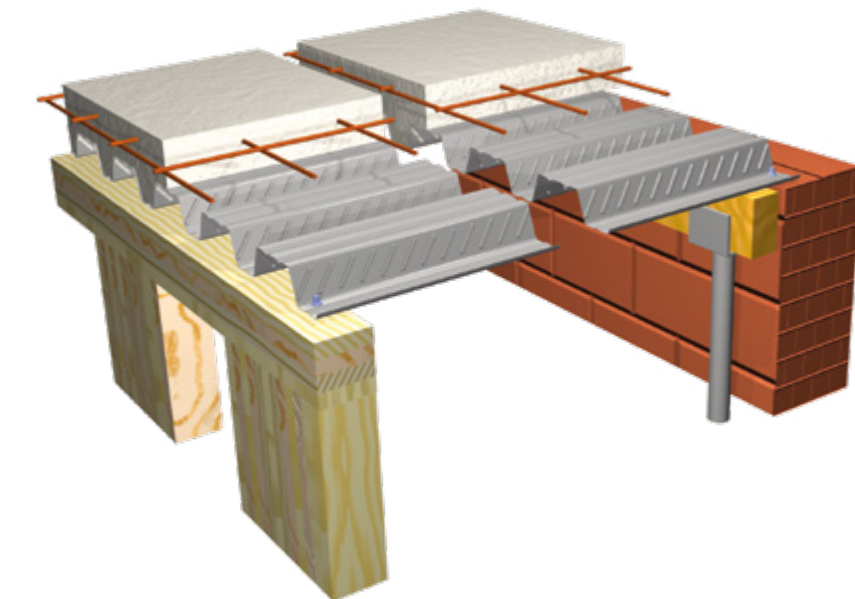


In the absence of fixing on a support, safety in the temporary phase can be ensured by a sliding rail.



### Installation on brick wall or timber structure

Support width  $\geq 70$  mm

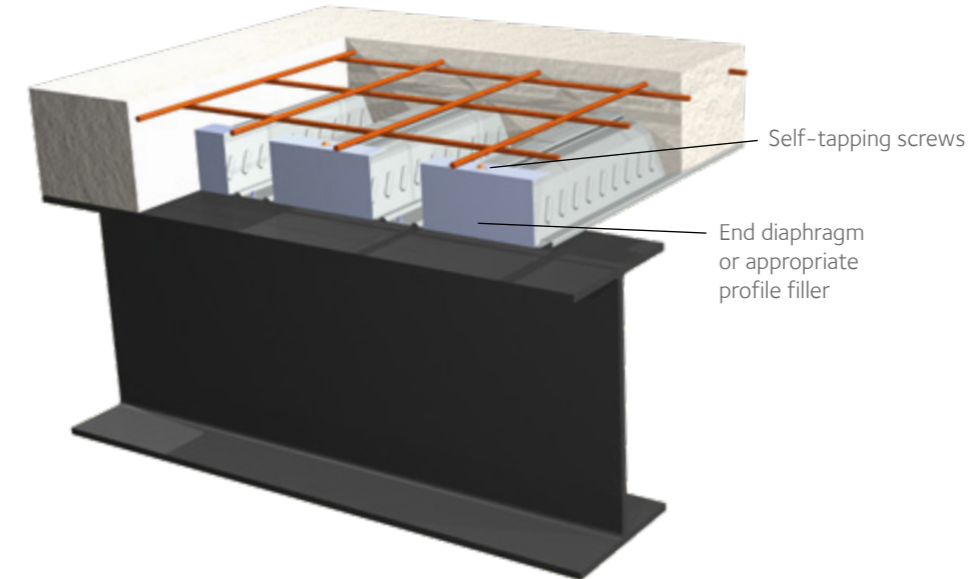


# Installation - Composite floor decking

## Overview

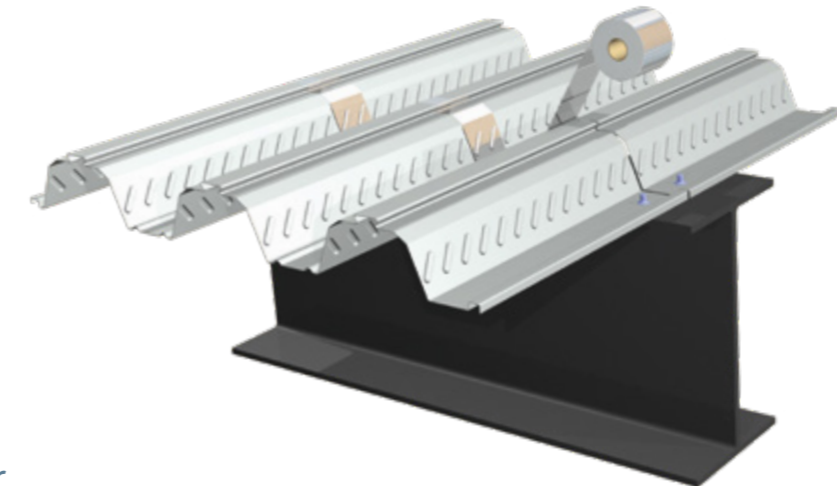
### End diaphragm or appropriate profile filler

The ribs are getting closed at the end of the profile sheet either by appropriate profile filler or metallic diaphragm. The single elements or as running-band types get fixed by tape or by self-tapping screws.



### Continuity between two profiles at their top end

In case the profiles can not be overlapped (re-entrant or dovetail shapes), adhesive tape might seal the joint between the top end of 2 profiles.



### Concrete cover

Applied concrete cover has to follow the indications of the calculation note (according to the exposure and structural class of the structure and/or its fire resistance). The anti-cracking reinforcement mesh respect a concrete cover of at least 20 mm.



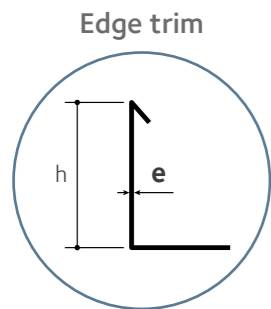
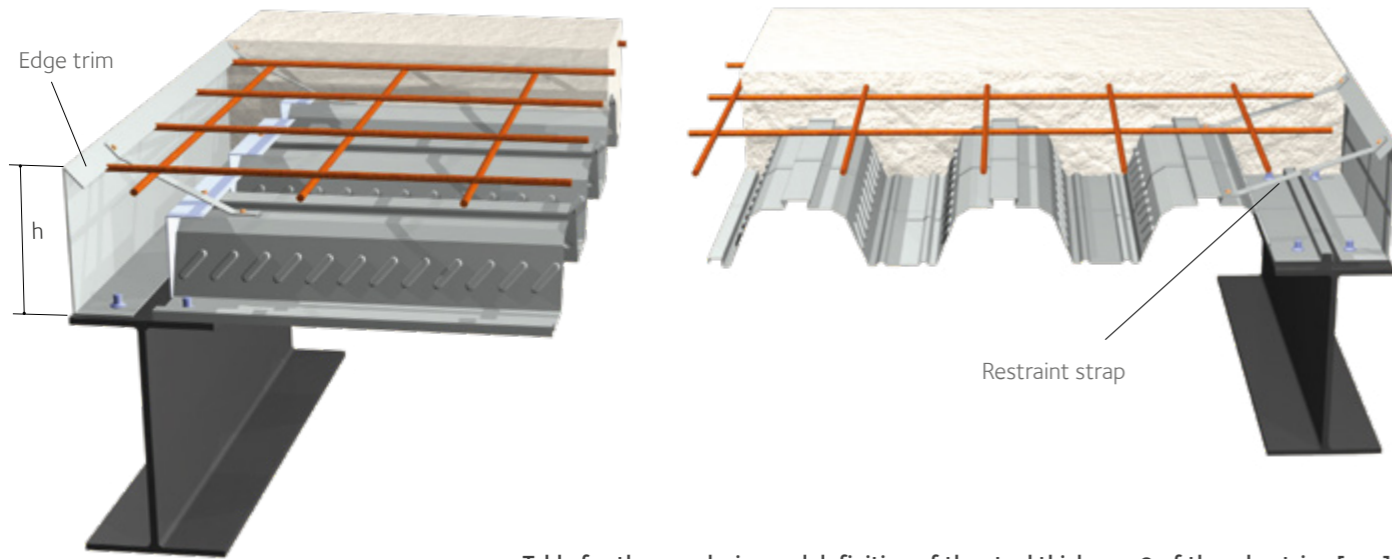
# Installation - Composite floor decking

## End supports

### On steel beam

Edge trims serve as vertical formwork for the final slab. Its height is equal to the thickness of the final slab, and it gets fastened to the support.

Restraint straps are desirable for floor heights  $h > 150$  mm in order to limit the deformation of the edge trim.

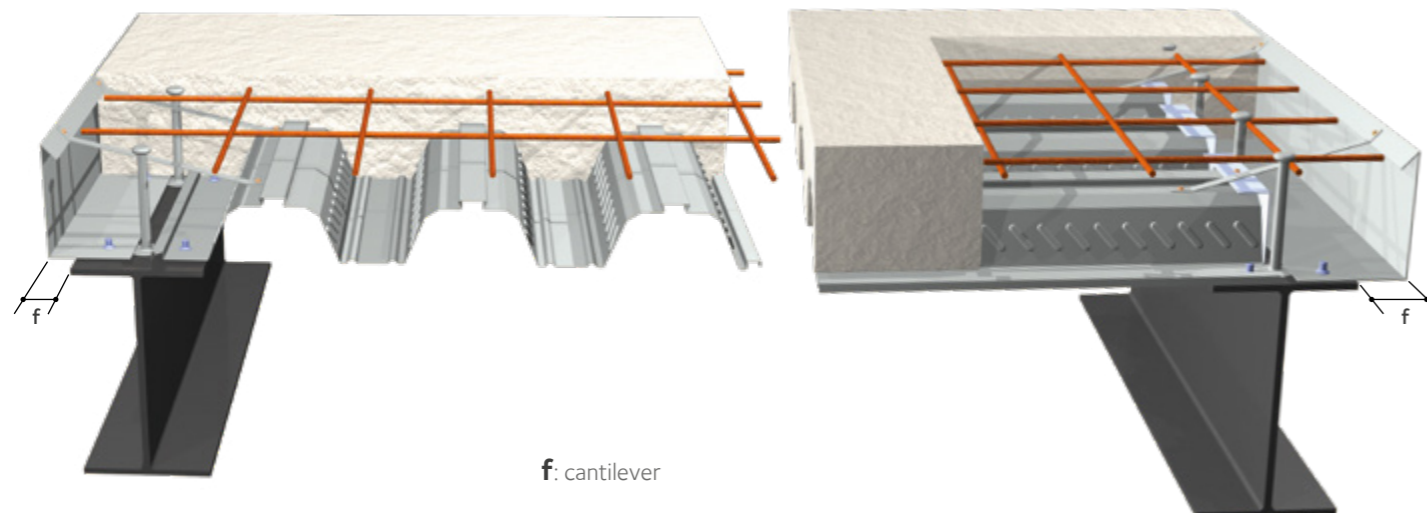


**e**: nominal thickness of galvanised metal for the edge trim [mm]

Table for the pre-design and definition of the steel thickness **e** of the edge trim [mm]

Thickness h of the slab [cm]	Cantilever f [mm]								
	0	25	50	75	100	125	150	175	200
9	0,88	0,88	1,00	1,00	1,20	1,20	1,50	2,00	2,50
10	0,88	0,88	1,00	1,00	1,20	1,20	1,50	2,00	2,50
11	0,88	0,88	1,00	1,20	1,20	1,50	1,50	2,00	2,50
12	0,88	0,88	1,00	1,20	1,50	1,50	2,00	2,00	2,50
13	0,88	1,00	1,20	1,50	1,50	2,00	2,00	2,50	2,50
14	1,00	1,20	1,20	1,50	1,50	2,00	2,00	2,50	2,50
15	1,20	1,20	1,50	1,50	2,00	2,00	2,50	2,50	2,50
16	1,20	1,50	1,50	2,00	2,00	2,50	2,50	2,50	2,50
17	1,20	1,50	1,50	2,00	2,00	2,50	2,50	2,50	2,50
18	1,50	1,50	2,00	2,00	2,50	2,50	2,50	2,50	3,00
19	1,50	1,50	2,00	2,00	2,50	2,50	2,50	2,50	3,00
20	2,00	2,00	2,50	2,50	2,50	3,00	3,00	3,00	3,00

### On composite beams with shear studs



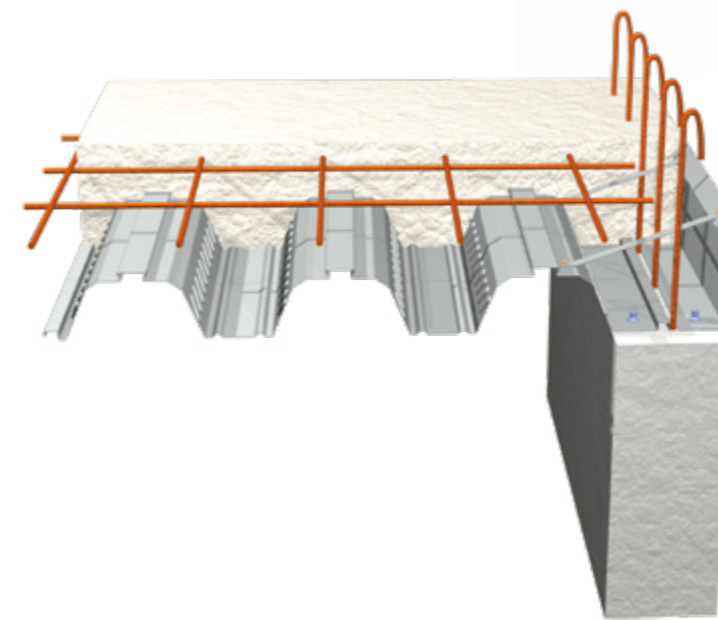
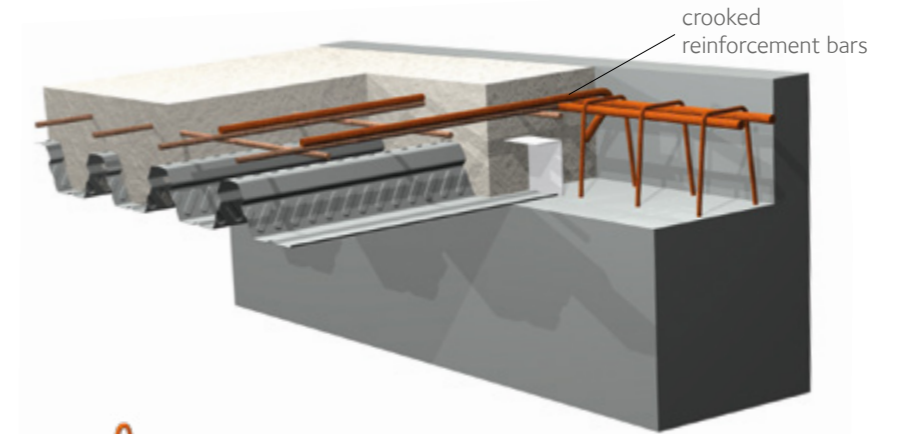
**f**: cantilever

# Installation - Composite floor decking

## End supports

### On concrete

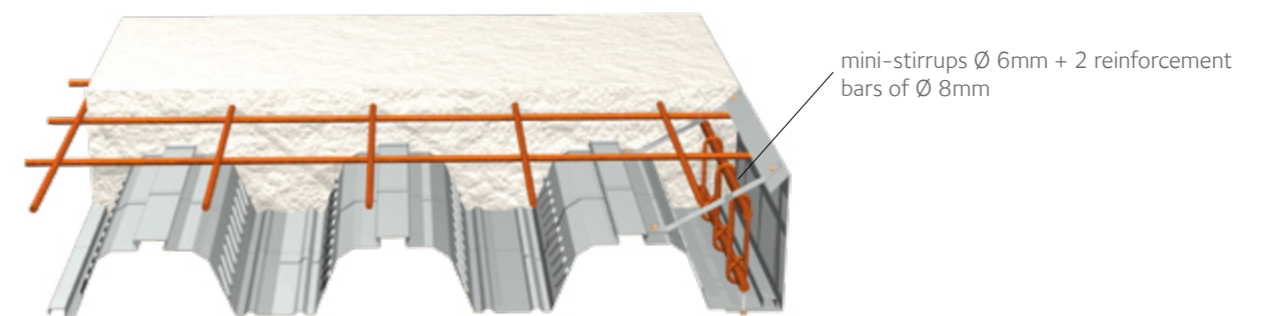
The slab can be anchored by additional reinforcement bars, as traditionally used in reinforced concrete structures.



A layout plan should optimise the situation at the end supports.

### Free edge

The free sides of the slab should receive a longitudinal stiffener.



mini-stirrups  $\varnothing 6$ mm + 2 reinforcement bars of  $\varnothing 8$ mm

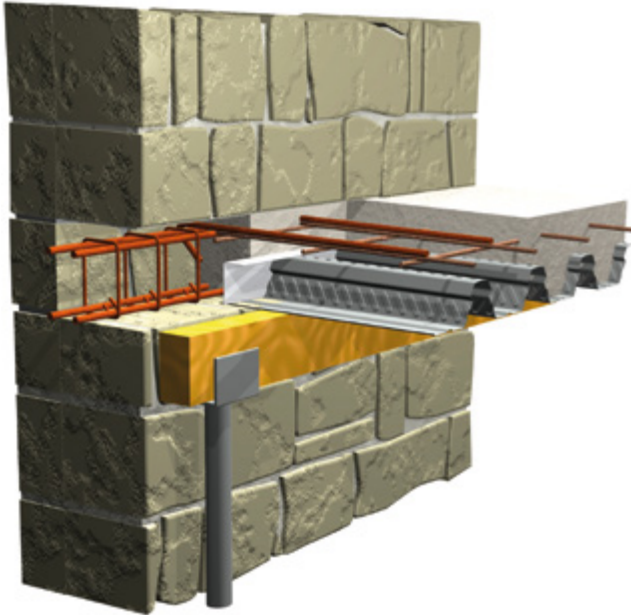
# Installation - Composite floor decking

## End supports

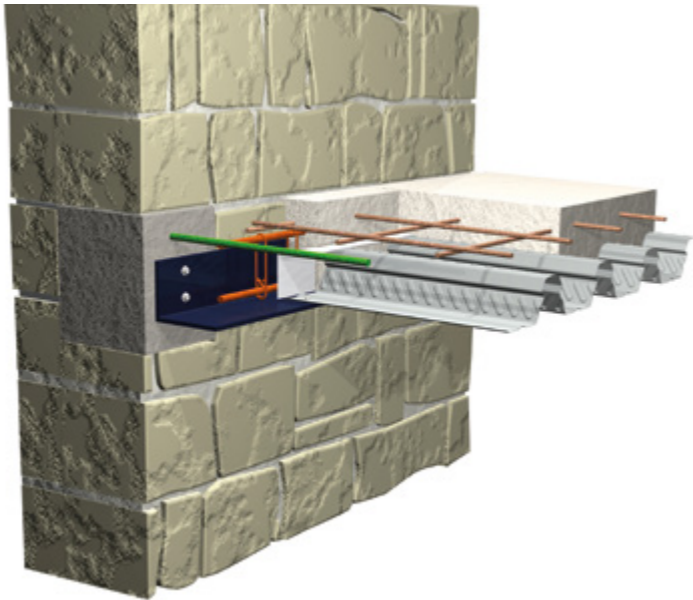
### On existing masonry

The steel angle must be pinned into the reinforced concrete pockets made beforehand in the existing wall. The number of pins and their cross-section are to be defined by the supplier of the angle pieces.

#### Linear engraving

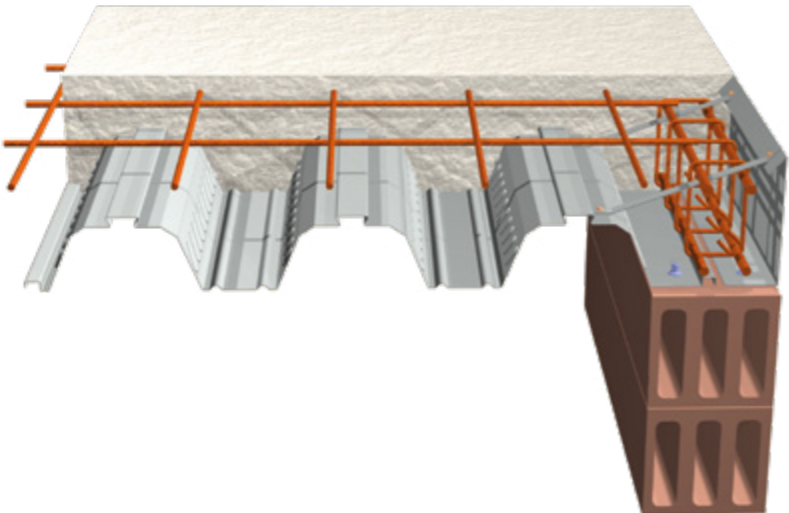


#### On running-band angle piece



### On masonry

Side wall chaining will be produced in accordance with the Eurocodes, in line with potential seismic requirements

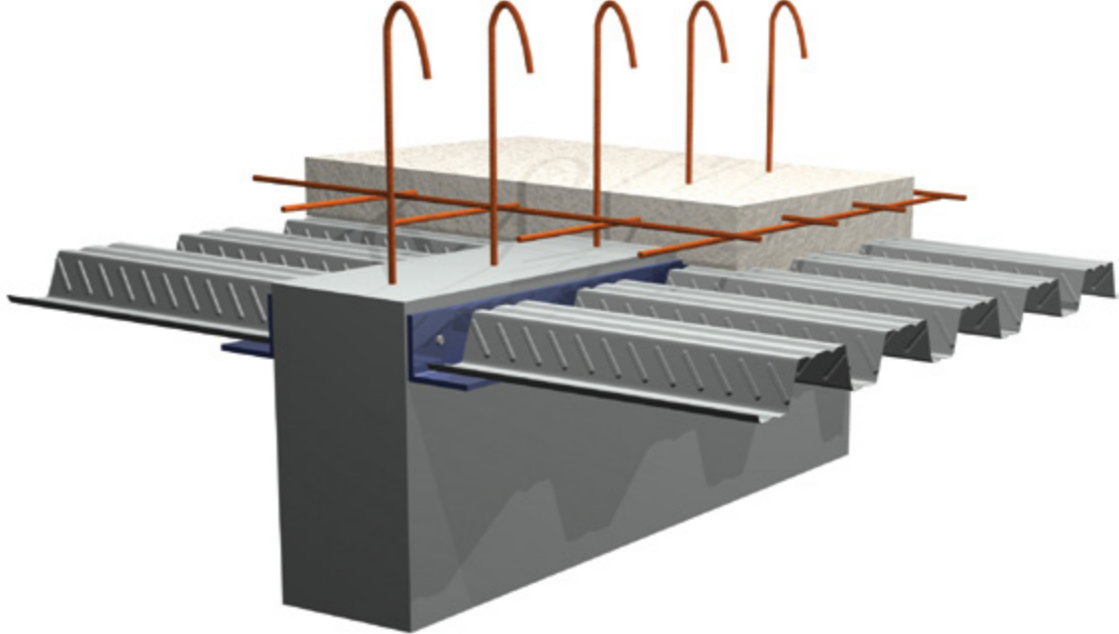


# Installation - Composite floor decking

## Mid-supports

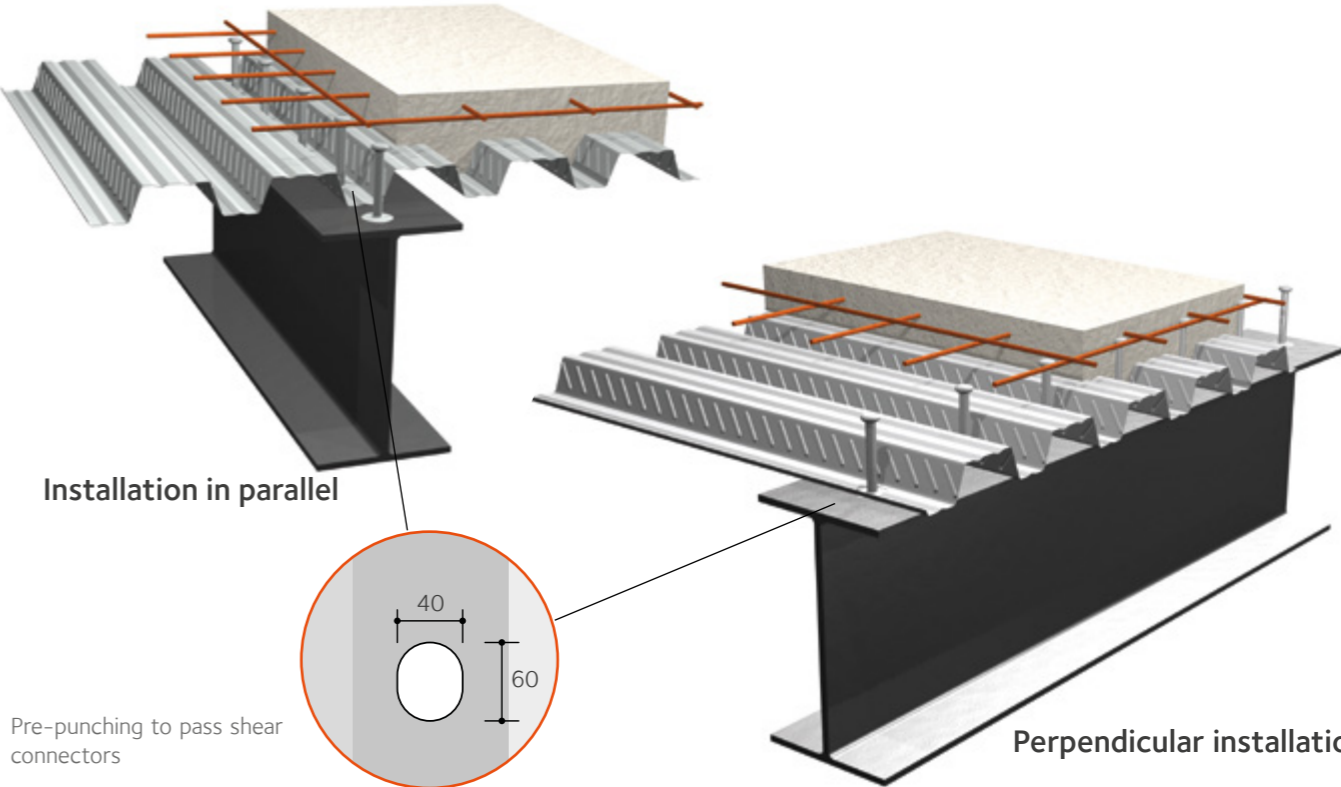
### On concrete wall

The pinning of the steel angle will be consistent with the nature of the prop and the loading assumptions. This calculation is the responsibility of the project engineer or responsible design office.



### On composite steel beam with shear studs

The ribs of the floor decking can be perpendicular or parallel to the composite beams. The pre-punching of the profiles gets done in the factory during the profiling process as per instructions on the form which will be given during the order.



Pre-punching to pass shear connectors

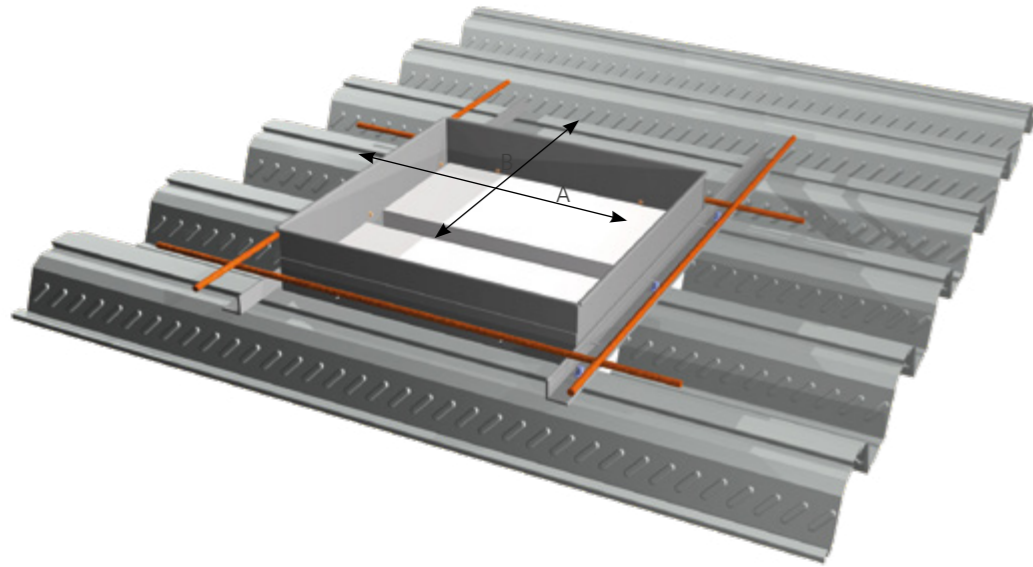


# Installation - Composite floor decking

## Openings & block-outs

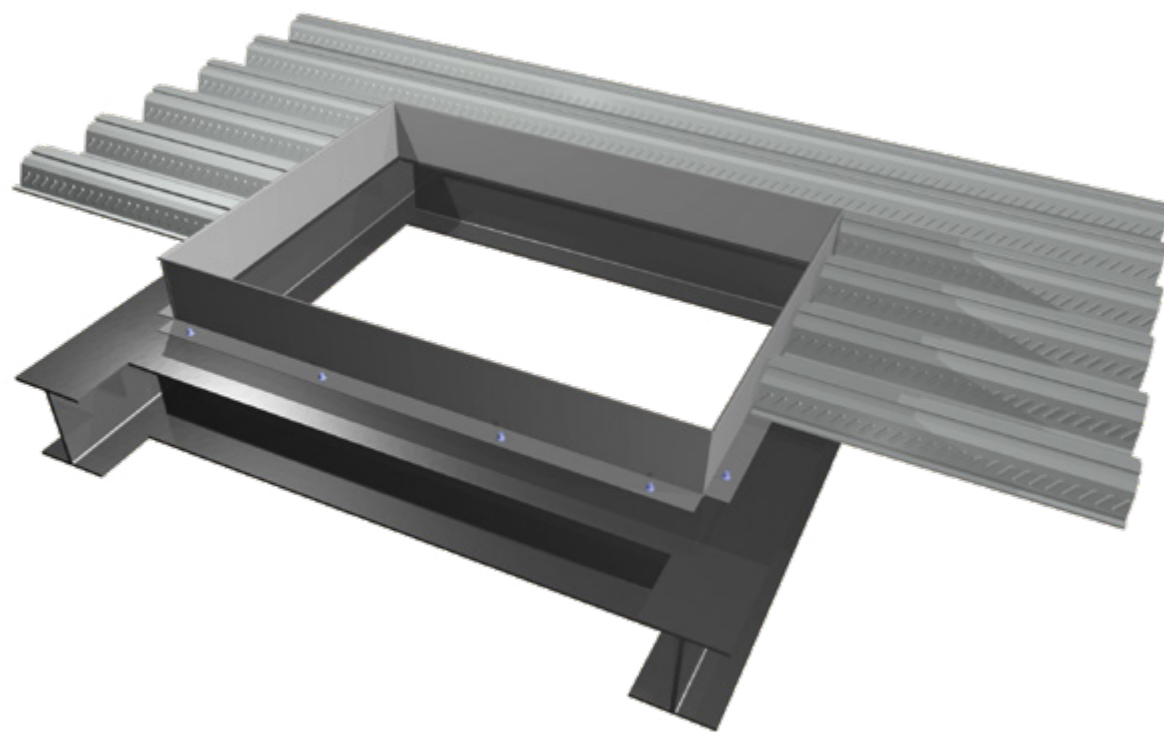
### For openings or box out < 500 x 500 mm

The entire profile will be installed across the planned opening. Further, a box-out with a best matching negative geometry of the profile sheet gets installed at the place of the opening to keep away any fresh concrete. After the concrete has hardened, the box out will be removed and the the profile will be cut on request. Additional reinforcement bars get positioned in the thickness of the slab (mini 4 x Ø 10mm).



### For openings or box out > 500 x 500 mm

A replacing stringer around the opening must either be incorporated in the thickness of the slab (reinforced concrete calculation to be done by the project engineer), or a secondary frame must be installed below the slab.

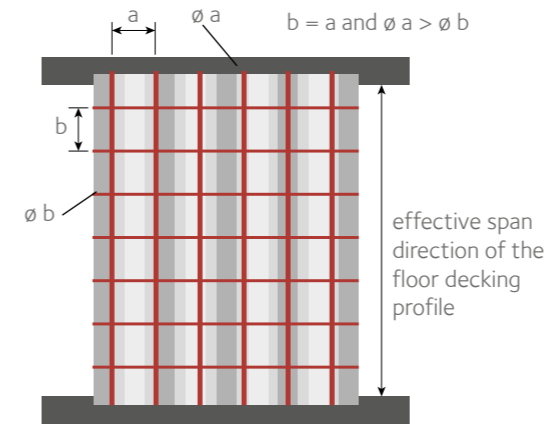


# Installation - Reinforcement

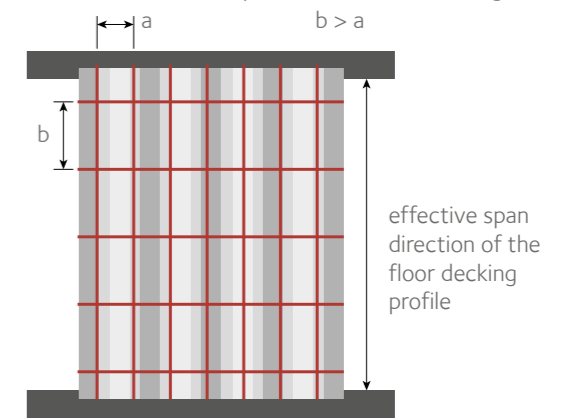
## Installation recommendations for additional reinforcement

### Orientation

The direction of the largest diameters of the welded mesh is always the direction of the effective span .

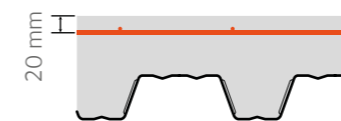


If the mesh consists of bars of the same diameter but different distances between 2 wires, the wire mesh must be positioned so that - per metre run - the greatest number of diameters is in the direction of the effective span of the floor decking.

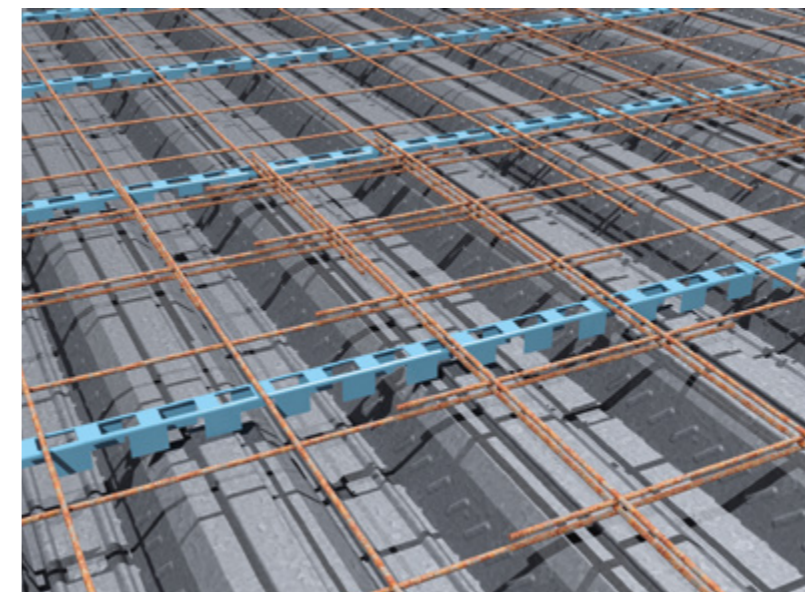
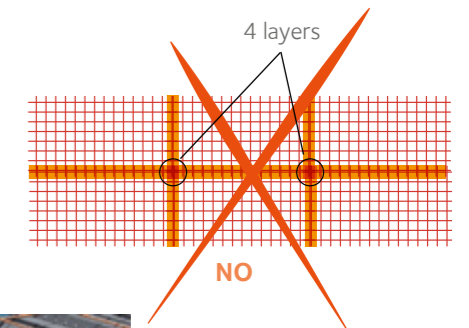
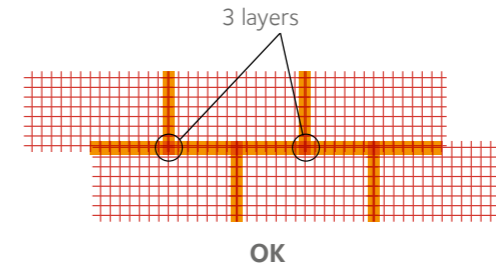


In order to provide the necessary concrete cover, only 3 layers of reinforcement meshes should be installed. It is therefore important to respect the following recommendations:

### Minimum concrete cover



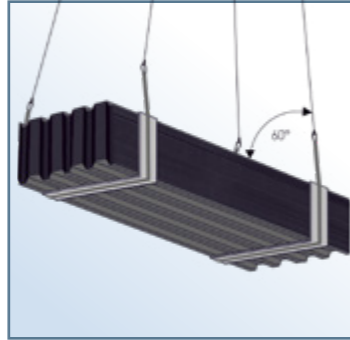
### Overlaps and lapped joints of reinforcement meshes



# General safety instructions



1 - Check usage & conditions of the PPE



2 - Use adequate slings and lifting tools to unload bundles



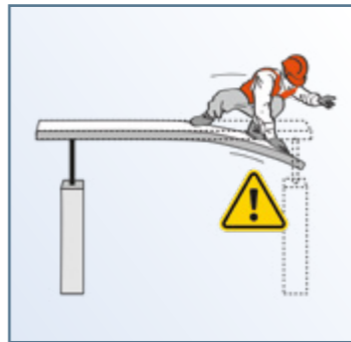
3 - Ensure individual safety



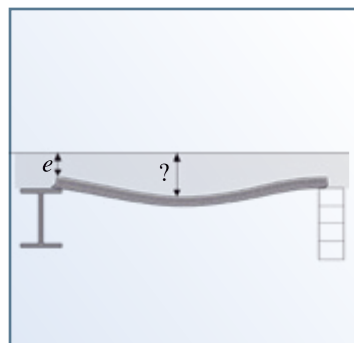
4 - Ensure collective safety



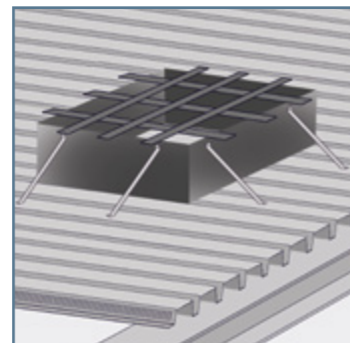
5 - Nail profiles in accordance with the installation progress



6 - Prop where cantilevers are larger than 200mm



7 - Survey concrete thicknesses using a pin rather than a laser level which is not considering deflection of the main structures

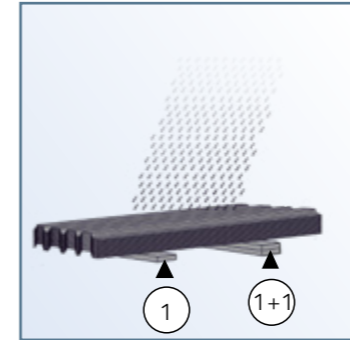


8 - Install fall protection for openings and block-outs

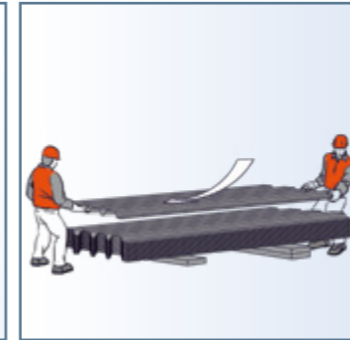


9 - Use a suitable prop equipment

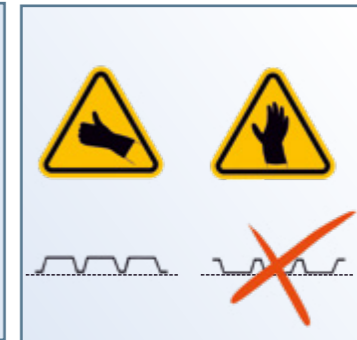
# General installation instructions



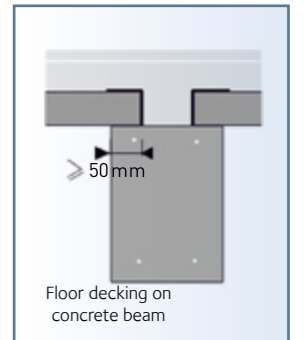
10 - Store profile bundles with a slight slope to avoid accumulation of rainwater



11 - Handle profile sheets correctly



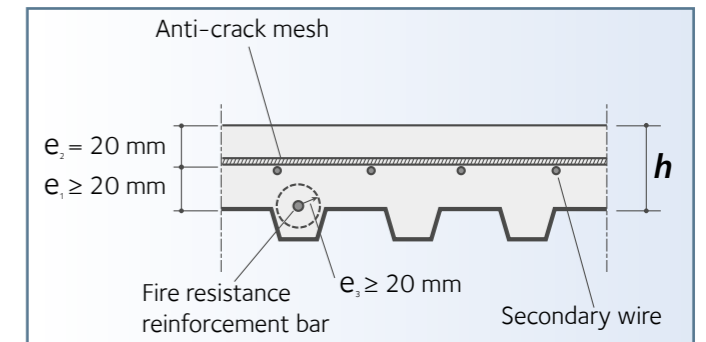
12 - Comply with correct orientation of the profile sheet



13 - Comply with minimum supports widths

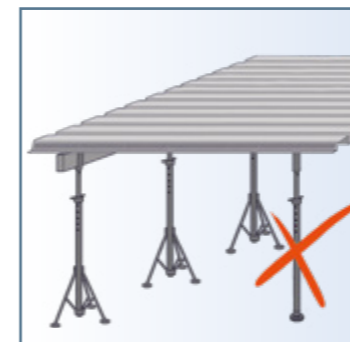


14 - Fix profiles sheets on supports and stitch them among each other (2 fixings per profile sheet and per end support)

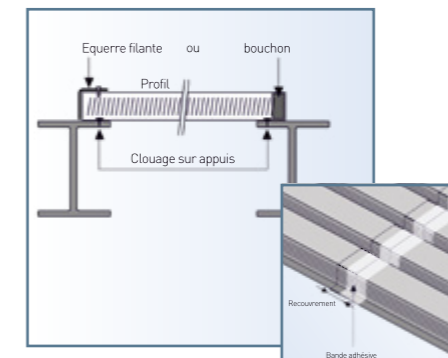


15 - Place the welded reinforcement mesh in the right position

16 - Comply with required concrete using adequate spacers for mesh and rebar reinforcement



17 - In case of propping, use a classical formwork beams instead of single props



18 - Ensure sealing & tightness at the end supports and on the overlaps



19 - Avoid any concrete accumulation while concreting



**ArcelorMittal International**

24-26 Boulevard d'Avranches  
1160 Luxembourg  
T: +352 4792 2780

**Austria-Österreich**

ArcelorMittal Construction Austria  
Lothringenstraße 2  
4501 Neuhofen an der Krems  
T: +43 7229 64 584 0

**Pflaum & Söhne Bausysteme**

Ganggutstraße 89  
4050 Traun  
T: +43 7229 64 584 0

**Belgium-Belgie**

ArcelorMittal Construction  
Lammerdries 8  
2440 Geel  
T: +32 14 56 39 43

**Croatia-Hrvatska**

ArcelorMittal Construction Croatia  
Bani bb  
10000 Zagreb  
T: +385 1 6607 532

**Czech Republic-Česká Republika**

ArcelorMittal Construction  
Sokolovská 192/79  
186 00 Praha 8  
T: +420 272 072 010

**Denmark-Danmark**

ArcelorMittal Construction  
c/o SM Stål ApS  
Østre Allé 6  
9530 Støvring  
T: +45 20 30 07 30

**France**

ArcelorMittal Construction  
16 route de la Forge  
55000 Hailonville  
amccommercial@arcelormittal.com

**Installers - North**

Hailonville (55)  
T: +33 3 29 79 85 85

**Onnaing (59)**

T: +33 3 27 23 90 00

**Installers - South**

Hagetmau (40)  
T: +33 5 58 79 56 50

**Distributors - West**

Thouaré (44)  
T: +33 2 51 13 07 10

**Distributors - East**

Diemoz (38)  
T: +33 4 72 70 29 00

**Germany-Deutschland**

ArcelorMittal Construction Deutschland  
Münchener Strasse 2  
06796 Sandersdorf-Brehna  
T: +49 34954 455 0

**Hungary-Magyarország**

ArcelorMittal Hungary  
Weiss Manfred ut. 5-7  
1211 Budapest  
T: +36 1 350 28 76

**Netherlands-Nederland**

ArcelorMittal Construction  
Krommewei 8  
4004 LZ Tiel  
T: +31 344 631 746

**Norway-Norge**

ArcelorMittal Construction Norge AS  
Tærudgata 1  
2004 Lillestrøm  
T: +47 63 94 14 00

**Poland-Polska**

ArcelorMittal Construction  
ul. Metalowców 1  
41600 Świętochłowice  
Tel. +48 32 770 65 40

**Portugal**

ArcelorMittal Construção  
Estrada Nacional 3 (Km 17,5)  
Apartado 14  
2071-909 Cartaxo  
T: +351 263 400 070

**Romania-România**

ArcelorMittal Construction  
136 Biruintei Bdul, DN3 Km 14  
077145 Pantelimon, Jud. Ilfov  
T: +40 730 633 827

**Slovakia-Slovenská Republika**

ArcelorMittal Construction  
Železničná 2685/51A  
905 01 Senica  
T: +421 34 321 0012

**Spain-España**

ArcelorMittal Construcción  
Carretera Guipuzcoa Km 7,5  
31195 Berrioplano (Navarra)  
T: +34 948 138 669

**Sweden-Sverige**

ArcelorMittal Construction Sverige AB  
Västanvindsgatan 13  
65221 Karlstad  
T: +46 (0)54 68 83 00

**Switzerland-Schweiz**

ArcelorMittal Construction Suisse SA  
Industriestrasse 19  
8112 Otelfingen  
T: +41 56 296 10 10

**United Kingdom**

ArcelorMittal Construction UK  
ArcelorMittal Commercial UK Ltd  
Suite F / Campsie Softnet Centre  
Enterprise House  
Southnet Business Park  
Kirkintilloch, Glasgow - G66 1XQ  
T: +44 141 530 1485

**INDIAN OCEAN**

**Réunion**

ArcelorMittal Construction Réunion  
ZIN° 2-44 rue Paul Verlaine  
BP 802  
97825 Le Port  
T: +262 42 42 42

**CARIBBEAN**

**Guadeloupe**

ArcelorMittal Construction Caraïbes  
51 Rue Henri Becquerel prolongée  
Bâtiment B - Z.I. de Jarry  
97122 Baie-Mahault  
T: +590 26 82 03

**Martinique**

ArcelorMittal Construction Caraïbes  
ZIP de la Pointe des Grives  
97200 Fort de France  
T: +596 60 60 00

**Saint Martin**

ArcelorMittal Construction Caraïbes  
Lotissement Savane Activité  
97150 Saint Martin  
T: +590 52 98 04

**Dominican Republic**

ArcelorMittal Construction Caraïbes  
131 Avenue Charles de Gaulle  
Ens. Cancino Viejo  
Santo Domingo  
T: +1 809 483 27 69

**Guyana**

ArcelorMittal Construction Caraïbes  
ZI de Degrad des Cannes BP 418  
97300 Remi-Remont-Joly  
T: +594 25 52 25



[construction.arcelormittal.com](http://construction.arcelormittal.com)